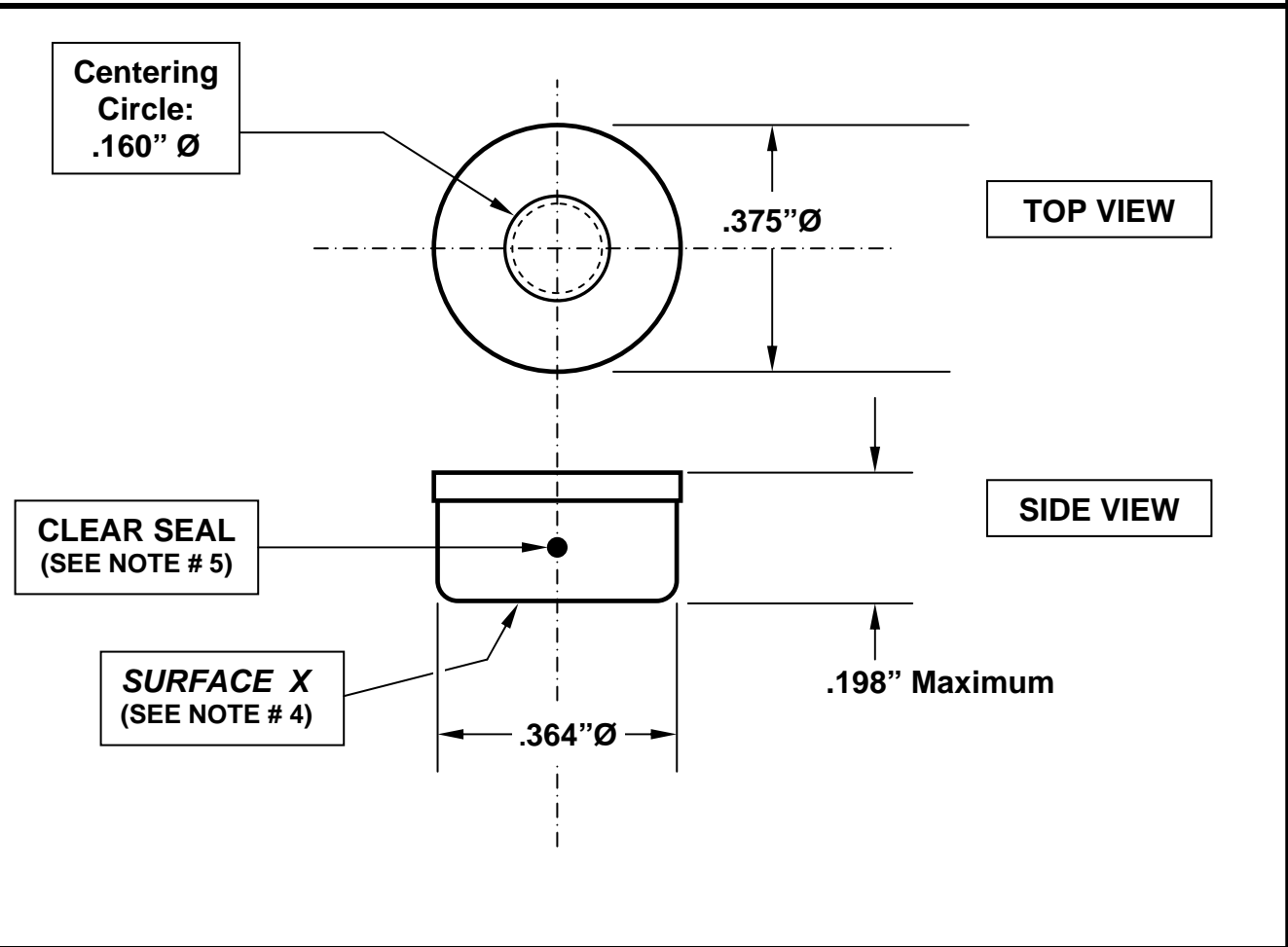


SYMBOL	REVISION REQUIRED	DATE	AUTH.

Notes:

1. All Dimensions in inches
2. Normal tolerances +/- 0.010 inch except where maximum dimensions are indicated or where specified otherwise.
3. Sensitivity: 60 minutes per .1" movement of the bubble.
Tolerance on sensitivity is +/- 10 %.
4. **Surface X** cannot be used as the level reference surface. This surface may **NOT** be perfectly flat.
5. Clear Seal is not flush with respect to .364" Ø.
6. MATERIAL: Glass
7. FLUID: Clear Mineral Spirits



GEIER & BLUHM, INC.
 594 River Street
 Troy, NY 12180 USA

DRAWN BY: DAVID OSTER
 UNMOUNTED
 CIRCULAR LEVEL VIAL

DATE: December 27, 2005
 DRAWING NUMBER
1-06009