

SYMBOL	REVISION REQUIRED	DATE	AUTH.
A	Tolerances & Note 1	10/1963	H.F.O.
B	Redrawn	7/01/1982	D.B.O.
C	Redrawn, revised notes	10/19/2004	D.B.O.

Notes:

- All Dimensions in inches
- SENSITIVITY: 60 minutes per division, Range $\pm 3^\circ$
Tolerance on sensitivity is ± 6 minutes
- Part or all of the finish maybe removed from Surface "X" during calibration.

MATERIAL: Housing: Brass
Vial: Glass

FINISH on Housing: Chrome

FLUID: Mineral Spirits

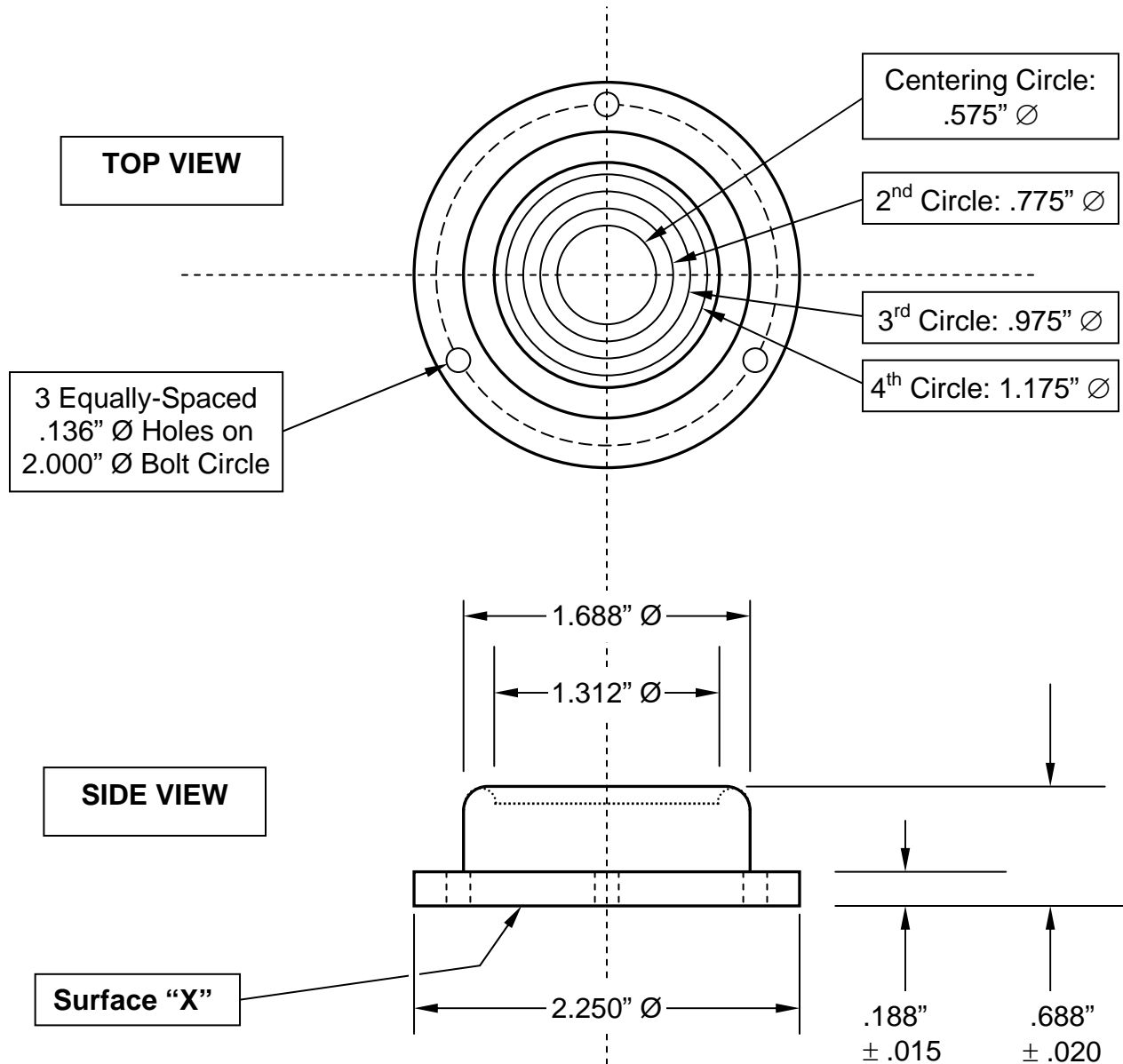
COLOR of FLUID: Clear

TOLERANCES:

Decimal: +/- .010"

Fractional: $\pm 1/64$ "

Angular: $\pm 1/2^\circ$



GEIER & BLUHM, INC.
594 River Street
Troy, NY 12180
USA

DRAWN BY: DAVID OSTER

DATE: October 18, 2004

Scale: NONE
**MOUNTED
CIRCULAR LEVEL**

DRAWING NUMBER
2-20011